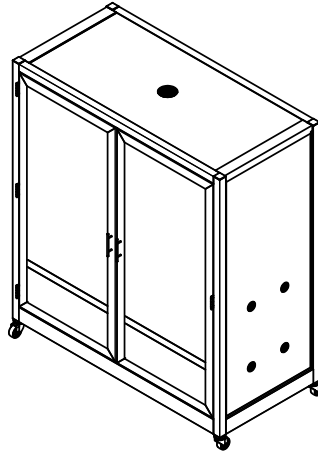


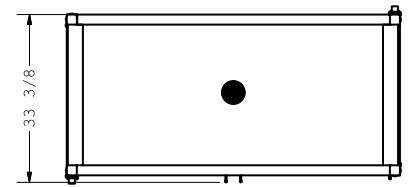
# Sunny Gardens Features and Specifications

## Sunny Pro (model C6, gen4)

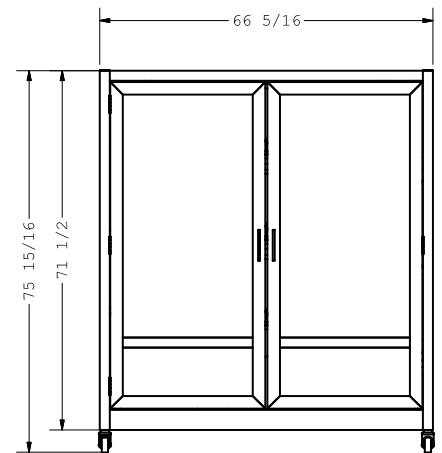
1. Capacity – 114 Plants
2. Dimensions –  
With Handles & Wheels 76H x 66 5/16 W x 33 3/8 D
3. Standard Lights – 48W LED Grow lights x 6 (288W total)
4. Seedling Light – 18W LED Grow light x 1
5. Main Pump – 1000 GPH
6. Power requirements – 120V
7. Total Power – 436W
8. Max Amps – 3.63 amps
9. Main Water Tank
  - a. Size – 37"x17"x13"
  - b. Capacity – 34 US Gallons
  - c. Useable Capacity – 22.6 US Gallons
10. Weight –
  - a. Shipping – 495lb
  - b. Dry – 430lb
  - c. Running (Full) – 649lb
11. Estimated Cost per Day (@\$0.10/kWh)  
Lights on 16hr/day and pumps/fans 24hr/day – \$0.78
12. Exterior – HDPE (80% Recycled)
13. Doors – 1/8" tempered glass with HDPE frame
14. Frame - Aluminum
15. Grow trays – Food grade plastic



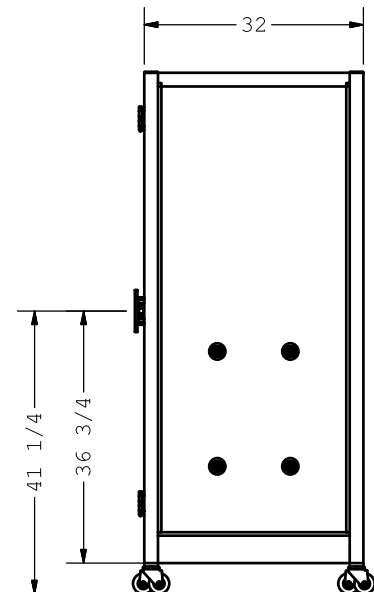
ISO VIEW



TOP VIEW



FRONT VIEW



SIDE VIEW

## Features

Commercial, sturdy construction; Beautiful design, accentuates any space; Capacity of 114 plants; Arrives fully assembled; Plug and grow turnkey garden; Only \$1/day to run; Easy cleaning; Low maintenance; Casters (wheels) for easy movement; Tempered glass doors for safety and durability; Programmable timer for lights, fans and pumps; Separate seedling area for better germination rates; Ability to grow a large variety of vegetables; True gardening experience; Low environmental impact; Made in the USA with recycled materials; Supports American manufacturing